

*Washes and Chills Birds in an  
Automated Conveyerised System*



## Features

- Rotating screw to transfer birds along the length of the tank
- Blower with SS piping to agitate birds for proper chilling
- Combined process of washing and chilling of birds to a temperature of 4° C
- Automated discharge of chilled birds at the end of the chilling process

# SCREW CHILLER & WASHER

## Application

Rapid and uniform chilling of the birds to increase shelf life

## Capacity

The Screw Chiller-Washer and Screw Chiller are available in different capacities:

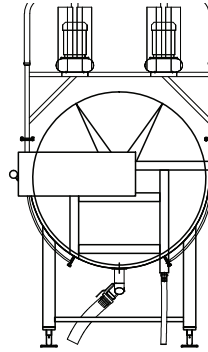
- 0.7 X 3 M
- 1.0 X 3 M
- 1 X 4.5 M
- 1.6 X 3 M
- 1.6 X 4.5 M
- 1.6 X 6 M



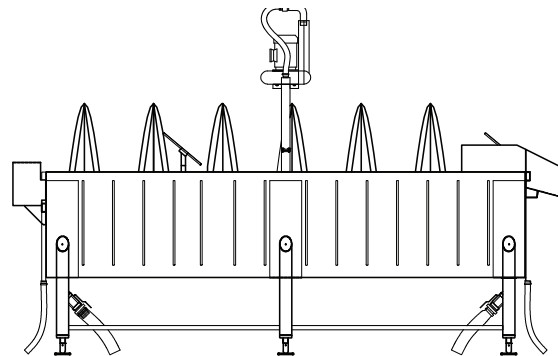
## Specifications

- 100% SS 304 construction
- Chilling time: 20 to 30 min
- Water level overflow & drain valve
- CE mark motor (Geared with VFD to control speed)

Screw Chiller 1.6 X 4.5 M - Side View



Screw Chiller 1.6 X 4.5 M - Frontal View



## Technical Data

Models	0.7 X 3 M	1.0 X 3 M	1.0 X 4.5 M	1.6 X 3 M	1.6 X 4.5 M	1.6 X 6 M
Single Phase 220VAC(+/-15%), 50Hz						
Three Phase 415VAC (+/-15%),50Hz	✓	✓	✓	✓	✓	✓
Geared Motor HP	0.5	0.5	1.0	1.0	1.0	1.0
Geared Motor KW	0.37	0.37	0.75	0.75	0.75	0.75
Blower HP	2.0	2.0	2.0	2.0	2.0	2.0
Blower KW	1.5	1.5	1.5	1.5	1.5	1.5
Dimensions	H- 1925 L- 3397 W- 940	H- 2830 L- 3458 W- 1277	H- 2830 L- 4964 W- 1277	H- 3233 L- 3706 W- 1930	H- 3264 L- 5206 W- 1806	H- 3233 L- 6706 W- 1930

CORPORATE OFFICE  
 RND AUTOMATION PVT LTD • 1/4 Shiv Complex • Kondhwa Budruk • Pune 411 048 • Maharashtra • India  
 Tel: +91 20 26930100 • 26930936 • Fax: +91 20 26930226  
 Email: sales@rndautomation.co.in

WEBSITE  
[www.rndautomation.co.in](http://www.rndautomation.co.in)

